
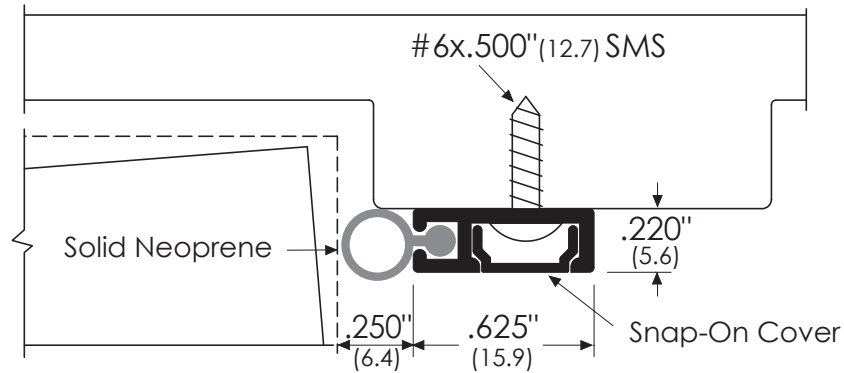


 UL listed

 Category H Classified under UL 1784, listed up to 180 minutes



**Legend:**

AA = Clear Anodized

**ANSI/BHMA**

Head & Jamb	#8878AA	R3B164
Applied Stop	#8878AA	J32123



415 Concord Avenue tel: 718.585.3230  
 Bronx, NY 10455 fax: 718.292.2243  
 email: zero@zerointernational.com  
 web site: www.zerointernational.com

**Part No:**  
8878

**Notes:**

**Part Description:**

Head and Jamb Protection  
 - Stop Applied  
 - Solid Neoprene  
 - Snap-On Cover

**Provided By:**

**Customer Name:**

**Job No:**

**Date:**